

RAB LIGHTING GL100PG



JOB NAME: _____
DATE: _____
TYPE: _____

DESCRIPTION

Unbreakable Polycarbonate threaded globes to fit RAB and other standard size vapor proof fixtures. Lamp base up only. Observe wattage restrictions for each fixture on pages 128-131.

SPECIFICATIONS

Glass Globes:

Clear thermal shock resistant soda lime glass standard

UL Listing:

Suitable for wet locations when used with RAB VAPOR PROOF fixtures. Suitable for dry, damp or wet locations when used as replacement globes for listed fixtures. Fixtures must be installed with lamp base up when outdoors.

Maximum Wattage:

75 watts

Patents:

RAB sensor and fixture designs are protected under U.S. and International Intellectual Property laws

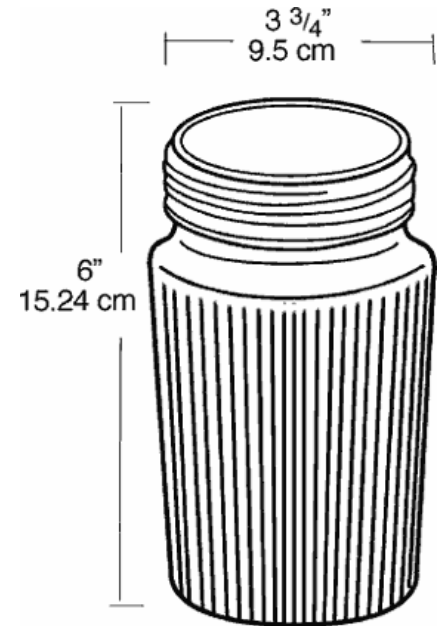
Color:

Clear

Weight:

0.35

DIMENSIONS



Note: Specifications may change without notice

RAB Lighting, Inc. • 170 Ludlow Ave • Northvale, NJ 07647 • Tel: 888 RAB-1000 • Fax: 888 RAB-1232 • www.rabweb.com
© 2007